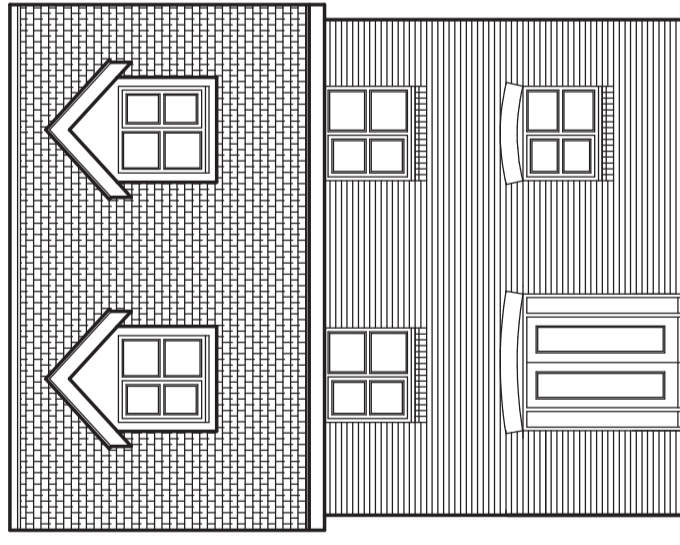
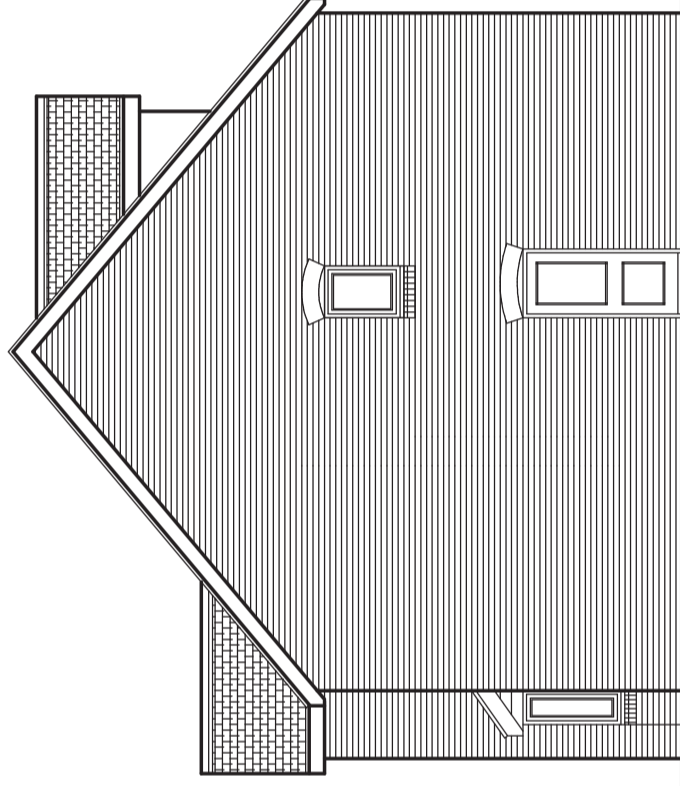


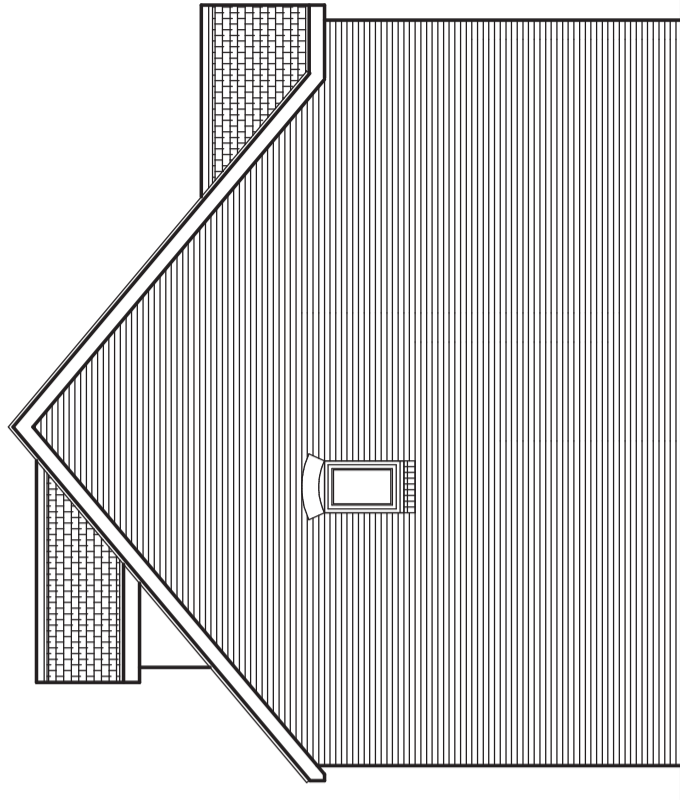
Front Elevation



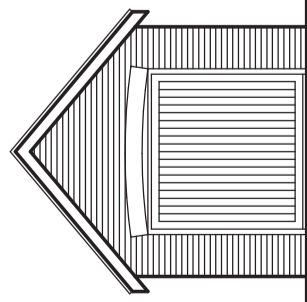
Rear Elevation



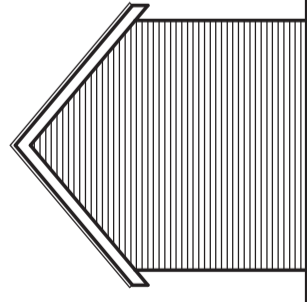
Side Elevation



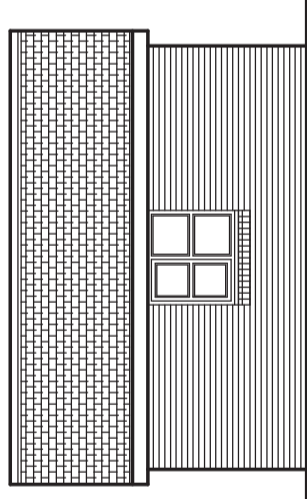
Side Elevation



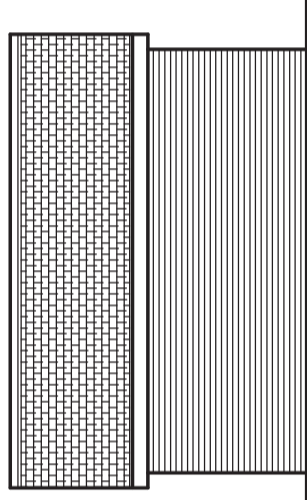
Front Elevation



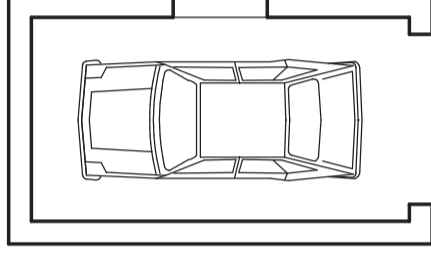
Rear Elevation



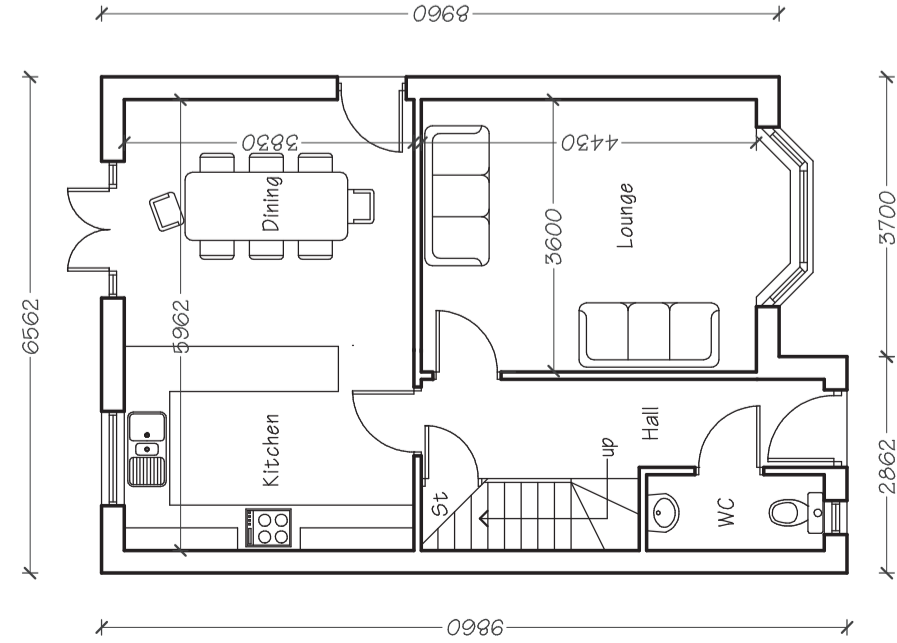
Side Elevation



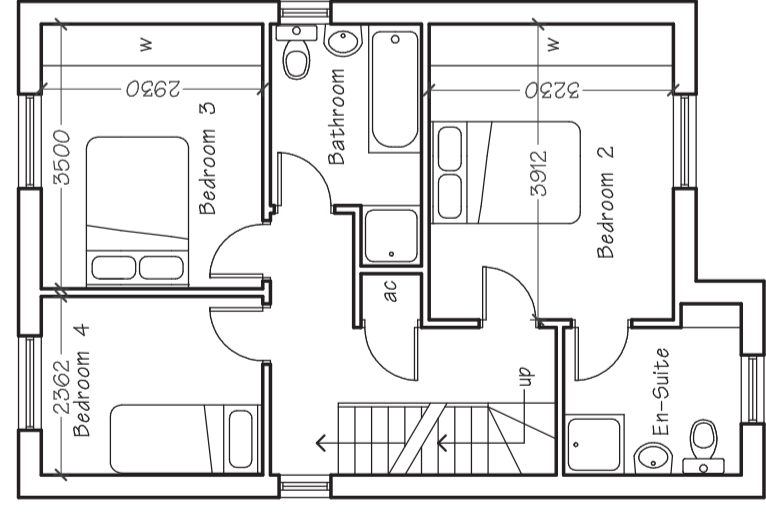
Side Elevation



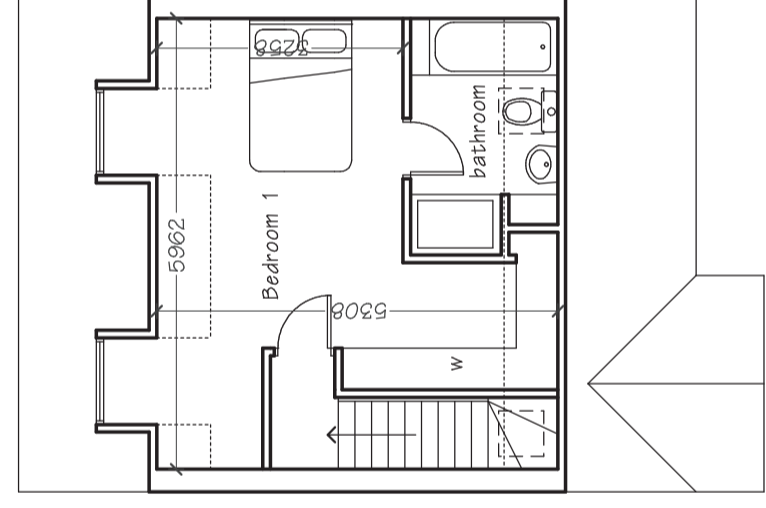
Detached Garage



Ground Floor Plan



First Floor Plan



Second Floor Plan

REVISIONS A 04.12.06 Rear doors revised			
CLIENT Rushton Homes		PROJECT Residential Development Glebefields Woodseaves	
DRAWING Plot 5 Plans & Elevations		SCALE 1:100	DATE 30.10.06
		DRAWING NO. 1203/06A	<small>         The copyright of this drawing is reserved by the architect. It may not be copied or reproduced without consent. Revised drawings to be used in preference to earlier versions must be clearly marked as such by the architect.       </small>